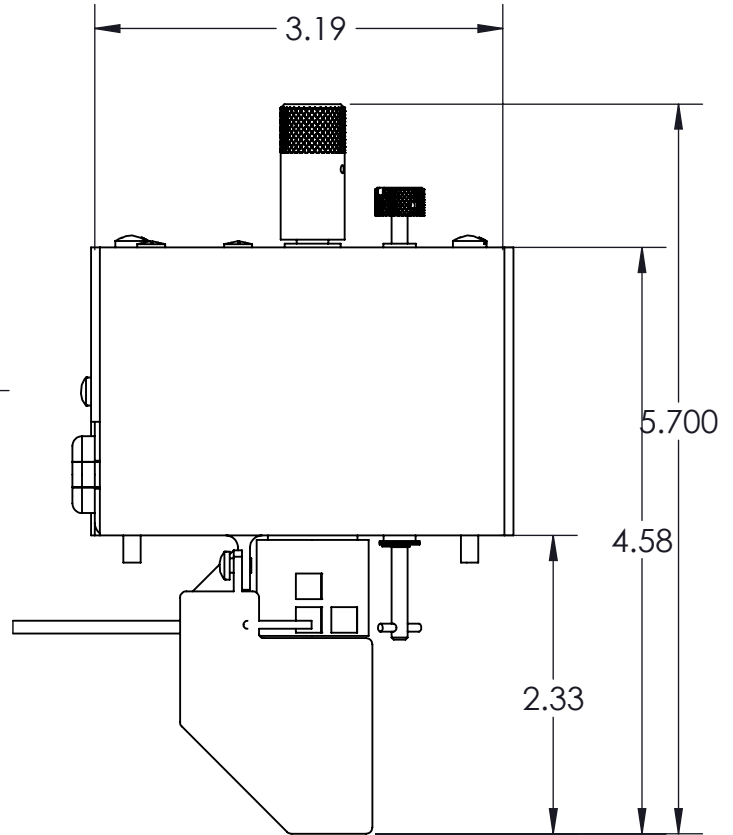
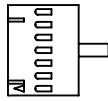


NOTES

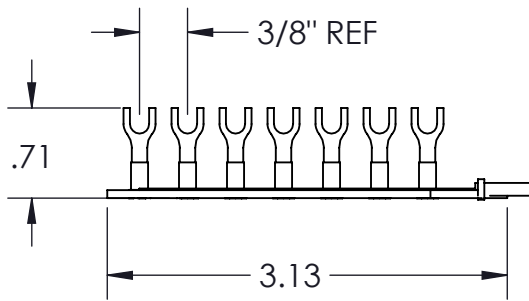
1. DIRECT REPLACEMENT FOR TELECOLOR 1 & TELECOLOR 2 AC INK KEYS
2. MOUNTS TO EXISTING MECHANICAL & ELECTRICAL HOOKUPS WITHIN FOUNTAIN
3. AVAILABLE WITH OTHER HARNESS OPTIONS

| REVISIONS | | | |
|-----------|-------------|----|------|
| REV. | DESCRIPTION | BY | DATE |

K20353-2



K20353



CONNECTONS:

| WIRE COLOR | DESCRIPTION |
|------------|----------------------|
| BLACK | AC POWER |
| WHITE | AC POWER |
| GREEN | AC POWER |
| BROWN | POTENTIOMETER SIGNAL |
| BLUE | POTENTIOMETER SIGNAL |
| RED | POTENTIOMETER SIGNAL |
| ORANGE | MOTOR DIRECTION |

| | | | | | | | | |
|--------------------------------------|-----------|----------------------|-----|--|-----------|------------|--|-----|
| MATERIAL | K20353 | DO NOT SCALE DRAWING | | EPG ESSEX PRODUCTS GROUP INDUSTRIAL PARK ROAD CENTERBROOK, CT 06409 | | | | |
| FINISH | NONE | SCALE 2:3 | | | | | TITLE HARRIS TELECOLOR REPLACEMENT | |
| TOLERANCE UNLESS OTHERWISE SPECIFIED | | DRAWN | PTO | DATE | 11/1/2019 | CODE IDENT | DRAWING NUMBER | REV |
| DECIMAL | .XX±.02 | CHECKED | | | | | SD-K20353 | - |
| DECIMAL | .XXX±.005 | SIZE | A | | | | | |
| ANGLE | ±0°30' | SHEET | 1 | OF | 1 | | | |